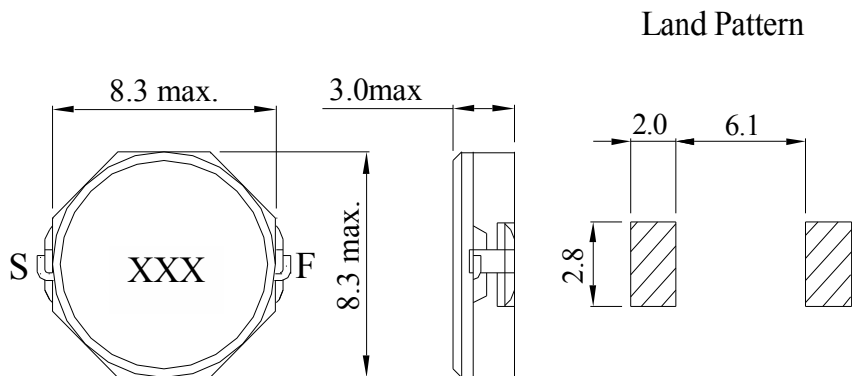


**【GSRHT8D28-SERIES】**

**DIMENSIONS & RECOMMENDED PATTERN**



**Unit: mm**

※ FEATURES

- Applications : DC to DC converter of portable equipment, camcorder, LCD television set, digital camera, P.D.A., notebook

**SELECTION GUIDE FOR STANDARD COILS**

GENERIC Part Number	Inductance	Tolerance	DC Resistance	Inductance Decrease Current	Temperature Rise Current
	( $\mu$ H)	(%)	( $\Omega$ ) Max	(A) Max	(A) Max
GSRHT8D28 - 1R0N	1.0	$\pm 30\%$	0.0110	6.50	7.00
GSRHT8D28 - 2R5N	2.5	$\pm 30\%$	0.0156	4.50	6.40
GSRHT8D28 - 3R3N	3.3	$\pm 30\%$	0.0182	4.00	6.00
GSRHT8D28 - 4R7N	4.7	$\pm 30\%$	0.0247	3.40	4.50
GSRHT8D28 - 7R3N	7.3	$\pm 30\%$	0.0390	2.80	3.40
GSRHT8D28 - 100N	10.0	$\pm 30\%$	0.0470	2.50	3.20
GSRHT8D28 - 150N	15.0	$\pm 30\%$	0.0690	1.90	2.35
GSRHT8D28 - 220N	22.0	$\pm 30\%$	0.0990	1.60	1.85
GSRHT8D28 - 330N	33.0	$\pm 30\%$	0.1560	1.30	1.45
GSRHT8D28 - 470N	47.0	$\pm 30\%$	0.1950	1.15	1.30
GSRHT8D28 - 680N	68.0	$\pm 30\%$	0.2860	0.92	0.98
GSRHT8D28 - 101N	100.0	$\pm 30\%$	0.4300	0.75	0.80

※ GENERAL SPECIFICATION:

- Inductance drop =35% typ. at IDC.
- $\Delta T=40^{\circ}\text{C}$  rise at IDC.
- Operating Temperature :  $-40^{\circ}\text{C} \sim +85^{\circ}\text{C}$
- Test Freq. : 100KHz / 1V.